

World's Leading Manufacturer Of Fibreglass Whip Antennas



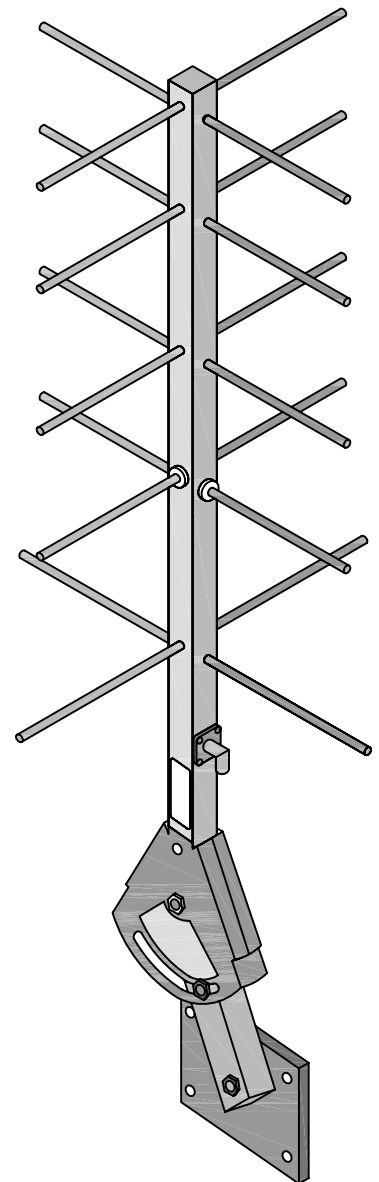
SPECIALISTS FOR HIGH FREQUENCY

## Crossed Yagi Antenna

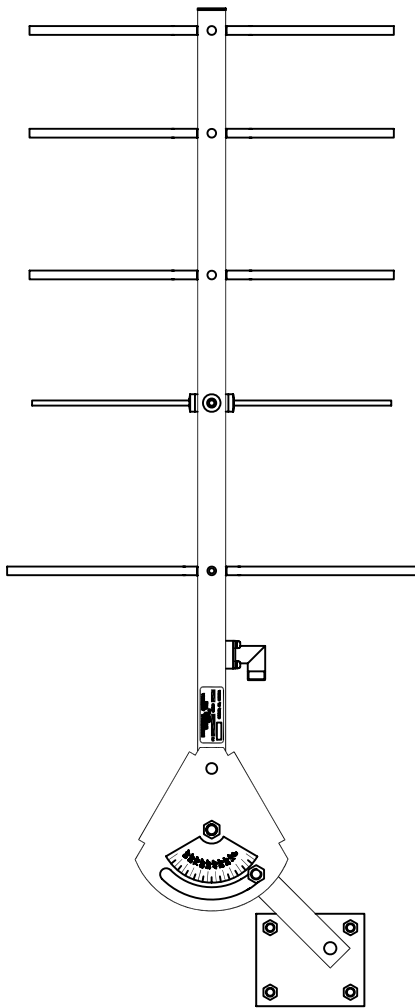
THE CROSSED YAGI ANTENNA IS DESIGNED TO PROVIDE OPTIMUM PERFORMANCE FOR ALL TIMED GOES DATA COLLECTION PLATFORMS. IT IS WELL SIUTED FOR OTHER 400 MHz APPLICATIONS. THE ANTENNA CONSISTS OF TWO QUADRATURE PHASED, FIVE ELEMENT YAGI ANTENNAS, ORTHOGONALLY MOUNTED ON A COMMON ALUMINUM BOOM. THE DRIVEN ELEMENTS ARE FED BY A UNIQUE MATCHING CIRCUIT. THE DRIVEN ELEMENTS ARE MECHANICALLY SCREWED ON FOR EASE OF SHIPPING, STORAGE AND FIELD INSTALLATION.

**FEATURES:**

- LIGHTWEIGHT
- EASY INSTALLATION
- HIGH GAIN
- WEATHERPROOF



# DIRECTIONAL ANTENNA, CROSSED YAGI QUICK REFERENCE DATA



## SPECIFICATIONS

### ELECTRICAL

FREQUENCY	401.8 MHz (NOMINAL)
BANDWIDTH	2 MHz
INPUT POWER	20 WATTS MAX
INPUT IMPEDANCE	50 OHMS
VSWR	1.5 MAXIMUM
POLARIZATION	RIGHT HAND CIRCULAR
CONNECTOR	TYPE N JACK

### MECHANICAL

MOUNTING	2" NOM PIPE (2.50 MAX OD)
AZIMUTH ADJUSTMENT	360°
ELEVATION ADJUSTMENT	0° TO 90°
WEIGHT	5 LBS (2.27 KG)
SIZE	43.3 X 10.5 X 10.5 (110 CM X 26.7 CM X 26.7 CM)

### ENVIRONMENTAL

WIND	100 KNOTS (185 KPH)
RELATIVE HUMIDITY	0 TO 100%

