

World's Leading Manufacturer Of Fibreglass Whip Antennas



SPECIALISTS FOR VERY HIGH AND ULTRA HIGH FREQUENCIES

VECM-16000

Wide Spectrum

Multi-Band Antenna

THE VECM-16000 IS A WIDE SPECTRUM VEHICULAR WHIP ANTENNA SYSTEM COVERING MULTIPLE FREQUENCY BANDS ACROSS THE VHF, UHF AND SHF DESIGNATIONS. THE VECM-16000 IS IDEALLY SUITED FOR CUTTING EDGE WIDE SPECTRUM ELECTRONIC COUNTERMEASURE SYSTEMS. AS WELL, IT CAN BE USED FOR STANDARD VHF AND UHF COMMUNICATIONS, REPLACING A MULTIPLE ANTENNA CONFIGURATION. THE VECM-16000 ANTENNA BOASTS A POWER HANDLING CAPABILITY OF UP TO 100 WATTS AND LESS THAN 3.0:1 VSWR ACROSS THE ENTIRE OPERATING BAND OF 100 MHZ TO 6 GHZ.

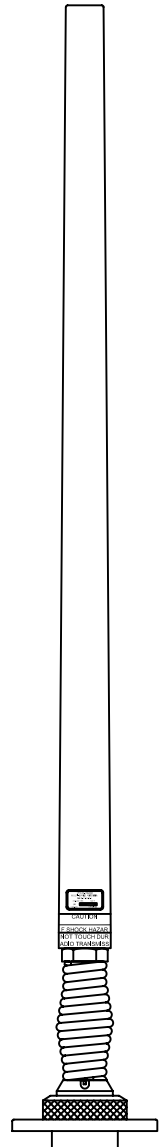
THE STANDARD VECM-16000 IS CONFIGURED AS A SINGLE INPUT ANTENNA, USING AN N-TYPE INPUT CONNECTOR. FUTURE OPTIONS WILL ALLOW FOR UP TO THREE SEPARATE INPUTS TO CONNECT MULTIPLE RADIO SYSTEMS.

THE VECM-16000 WHIP COMES IN ONE PIECE WHICH IS COMPRISED OF STACKED DIPOLE-STYLE ANTENNAS SYSTEM WITH INTEGRAL MATCHING NETWORKS. THE ANTENNA IS HOUSED WITHIN A RUGGED FIBREGLASS ENVELOPE. THE ANTENNA HAS AN INTEGRATED BASE MOUNT SUPPORT SPRING WHICH THREADS INTO AN ALUMINUM MOUNTING FLANGE ATTACHED TO THE VEHICLE USING A STANDARD VEHICULAR MOUNT.

FEATURES:

- EXTREMELY WIDE BANDWIDTH
- PERFORMS WITH OR WITHOUT A GROUND PLANE
- RUGGED AND RELIABLE DESIGN
- EASY ASSEMBLY/DISASSEMBLY

* PATENT PENDING



QUICK REFERENCE DATA

VECM-16000

ELECTRICAL

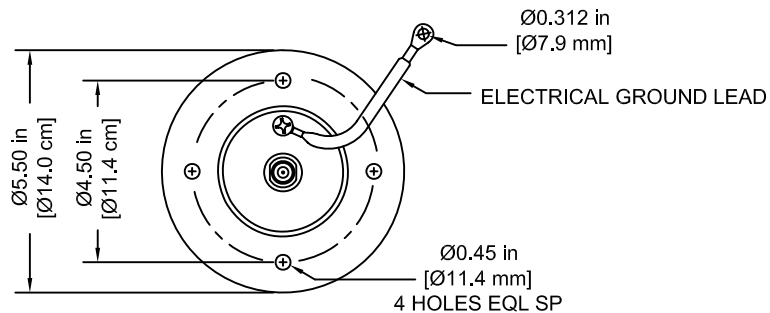
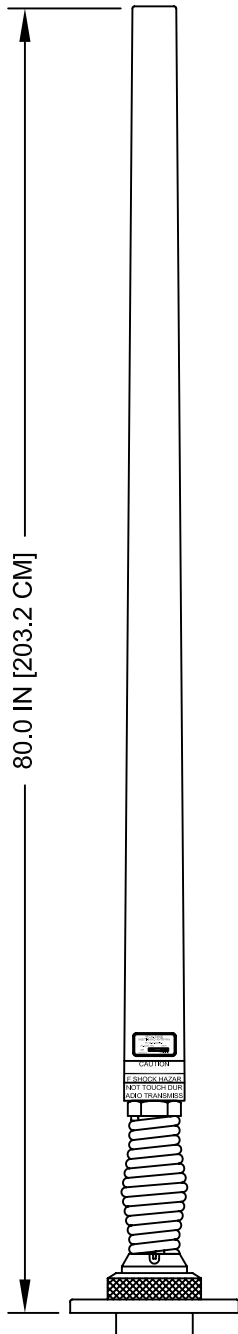
FREQUENCY RANGE	100 - 6000 MHz
RADIATION PATTERN	OMNIDIRECTIONAL
GAIN	-5.0 dBi TO +2.0 dBi
VSWR	3.0:1 MAXIMUM
POLARIZATION	VERTICAL
POWER HANDLING	100 - 999 MHZ: 100 WATTS CONTINUOUS 1 - 6 GHZ: 50 WATTS CONTINUOUS
HIGH VOLTAGE PROTECTION	10 kVrms to MIL-STD-202
NOM INPUT IMPEDANCE	50 OHMS
INPUT CONNECTOR	TYPE-N

MECHANICAL

WEIGHT	15.0 LBS (6.8 KG)
HEIGHT	80.0 INCHES (2.0 M)
CENTRE OF GRAVITY	13.0 INCHES (0.33 M) FROM BASE

ENVIRONMENTAL

TEMPERATURE	-60°F TO +160°F (-51°C TO +71°C)
WIND VELOCITY	75 MPH (120 KPH) OPERATING



BOTTOM VIEW



P.O. BOX 603 GUELPH, ONTARIO, CANADA, N1H 6L3
 TEL 519-824-3220 FAX 519-824-3411

INTERNET: www.valcom-guelph.com EMAIL: enquiries@valcom-guelph.com
 Specifications are subject to change without notice.